

# 70

## AG Series

Size (尺寸) 70\*70\*25mm



### General Specifications (一般規格)

Motor	: DC Brushless DC motor.	馬達 / 直流單向無刷馬達
Frame	: Plastic (94V-0)	材料 / 框 : 塑膠 (94V-0)
Impeller	: Plastic (94V-0)	材料 / 葉 : 塑膠 (94V-0)
Bearing	: Ball; Sleeve Bearing	軸承 / 滾珠; 含油軸承
Weight	: 74 g	重量 / 74 克

### Major Characteristic Parameters (主要參數)

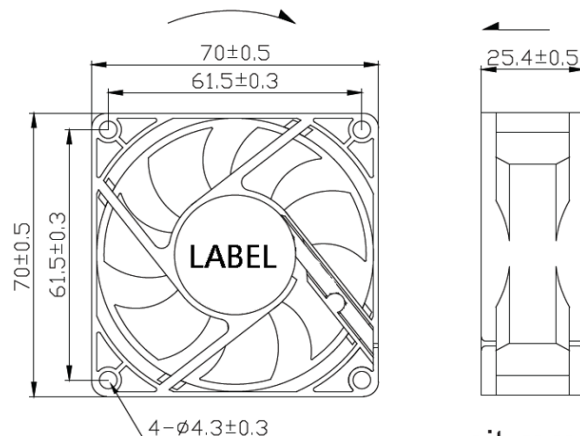
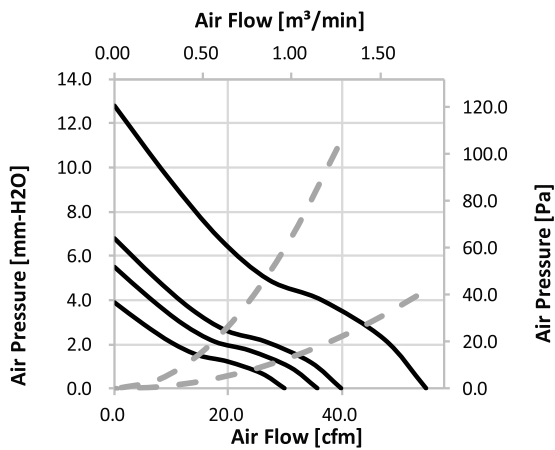
Model 機型	Bearing System 軸承	Rated Voltage 電壓	Operating Range 操作電壓	Rated Current 電流	Rated Speed 轉速	Maximum Air Flow 最大風量		Maximum Static Pressure 最大風壓		Sound Level 噪 音	P-Q 曲線
						m3/min	CFM	mm-H2O	In-H2O		
Part NO.	B / F / S	V	V	A	RPM					dBA	NO.
AGE07025_12L	B S	12	7.0~13.2	0.07	3000	0.85	30.00	3.90	0.15	27.0	(3)
AGE07025_24L	B S	24	14.0~26.4	0.05	3000	0.85	30.00	3.90	0.15	27.0	(3)
AGE07025_12M	B S	12	7.0~13.2	0.13	3600	1.01	35.60	5.50	0.22	32.0	(2)
AGE07025_24M	B S	24	14.0~26.4	0.12	3600	1.01	35.60	5.50	0.22	32.0	(2)
AGE07025_12H	B S	12	7.0~13.2	0.20	4000	1.13	39.90	6.80	0.27	37.0	(1)
AGE07025_24H	B S	24	14.0~26.4	0.14	4000	1.13	39.90	6.80	0.27	37.0	(1)
AGE07025_12U	B	12	7.0~13.2	0.30	5500	1.55	54.80	12.80	0.50	45.0	( )
AGE07025_24U	B	24	14.0~26.4	0.16	5500	1.55	54.80	12.80	0.50	45.0	( )

\*Function type is optional. (其它功能類型是可加選的)

\*All reading are typical values at rated voltage. (所有讀數均為額定電壓下測試的參數)

\* Bearing (軸承) - B: Two Ball Bearing (滾珠) F: Fluid Bearing (液壓) S: Sleeve Bearing (合銅)

Specification is subject to change for upgrading without notice



unit:mm

