

CROWN

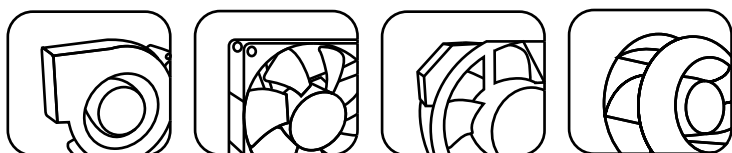
electroincs

CROWN DC CROSS FAN CATALOG

● PRODUCT CATALOGUE



Electronics Cooling Device Company



Ver.03

D40 F series

108mm~370mm

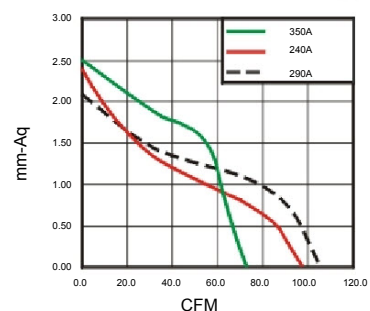
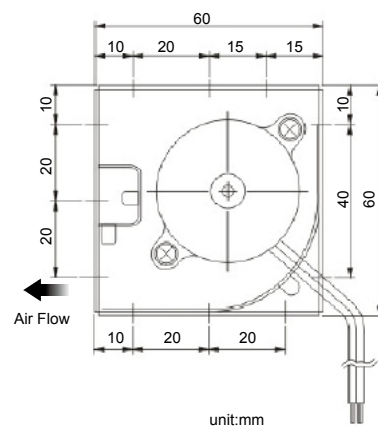
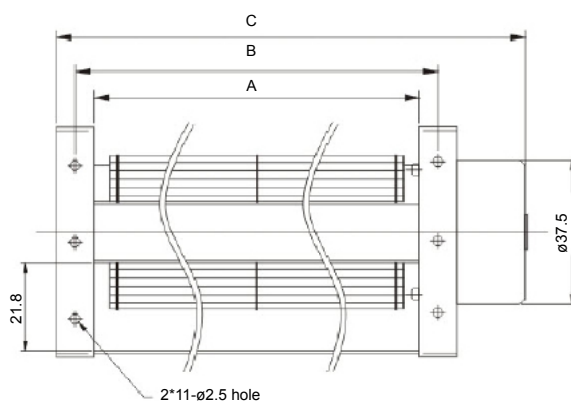
General Specifications

- Motor : 4 Poles brushless DC motor
- Frame & Impeller : Metal
- Storage temperature : -40° to +75°
- Operating temperature : -10° to +65°



Major Characteristic Parameters

Model	Size(mm)			Rated Voltage	Rated Current	Rated Speed	Maximum Air Flow		Maximum Static Pressure		Sound Level	Weight
	Part NO.	A	B				C	V	A	RPM		
CD40090A12	98	108	134	12	0.20	3000	0.7	24	2.9	0.114	36	210
CD40090A24	98	108	134	24	0.15	3000	0.7	24	2.9	0.114	36	210
CD40150A12	160	170	196	12	0.25	2600	1.0	35	2.6	0.102	36	250
CD40150A24	160	170	196	24	0.20	2600	1.0	35	2.6	0.102	36	250
CD40190A12	198	208	234	12	0.30	2500	1.4	49	2.5	0.098	37	300
CD40190A24	198	208	234	24	0.15	2500	1.4	49	2.5	0.098	37	300
CD40240A12	245	260	286	12	0.35	2500	2.1	74	2.5	0.098	41	400
CD40240A24	245	260	286	24	0.25	2500	2.1	74	2.5	0.098	41	400
CD40290A12	300	310	356	12	0.55	2700	2.7	95	2.4	0.094	43	540
CD40290A24	300	310	356	24	0.35	2700	2.7	95	2.4	0.094	43	540
CD40350A12	360	370	416	12	0.60	2600	3.0	106	2.1	0.082	44	570
CD40350A24	360	370	416	24	0.40	2600	3.0	106	2.1	0.082	44	570



D43 P series

108mm~370mm

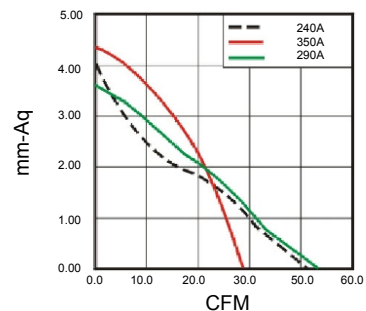
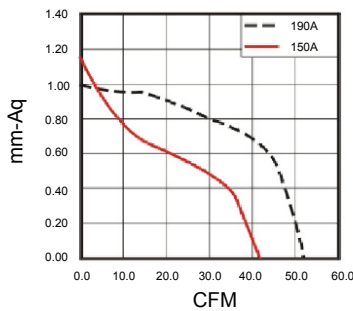
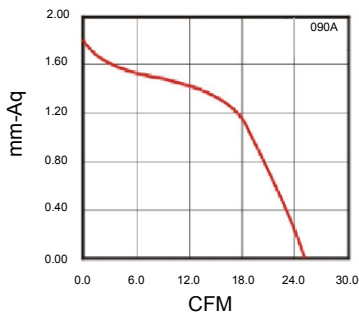
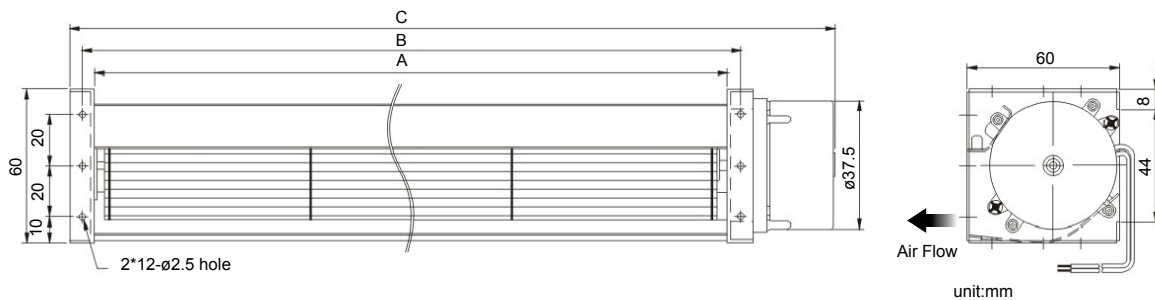
General Specifications

- Motor : 4 Poles brushless DC motor
- Frame & Impeller : Metal
- Storage temperature : -40° to +75°
- Operating temperature : -10° to +65°



Major Characteristic Parameters

Model	Size(mm)			Rated Voltage	Rated Current	Rated Speed	Maximum Air Flow		Maximum Static Pressure		Sound Level	Weight
	Part NO.	A	B				C	V	A	RPM		
CD43090A12	98	108	134	12	0.22	2800	0.8	24	1.8	0.070	36	210
CD43090A24	98	108	134	24	0.18	2800	0.8	24	1.8	0.070	36	210
CD43150A12	160	170	195	12	0.15	2500	1.2	42	1.2	0.047	37	260
CD43150A24	160	170	195	24	0.25	2500	1.2	42	1.2	0.047	37	260
CD43190A12	198	208	239	12	0.33	2400	1.5	53	1.0	0.039	39	300
CD43190A24	198	208	239	24	0.22	2400	1.5	53	1.0	0.039	39	300
CD43240A12	250	260	306	12	0.42	2700	2.2	78	1.1	0.043	43	490
CD43240A24	250	260	306	24	0.30	2700	2.2	78	1.1	0.043	43	490
CD43290A12	300	310	316	12	0.50	2600	2.5	85	1.0	0.039	43	530
CD43290A24	300	310	316	24	0.30	2600	2.5	85	1.0	0.039	43	530
CD43350A12	360	370	416	12	0.55	2500	2.8	95	1.0	0.039	45	570
CD43350A24	360	370	416	24	0.35	2500	2.8	95	1.0	0.039	45	570



D60 F series

138mm~444mm

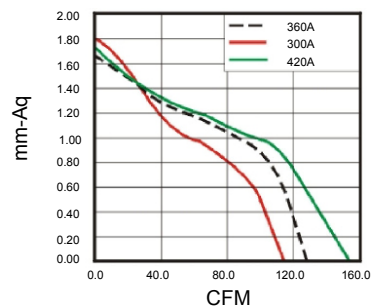
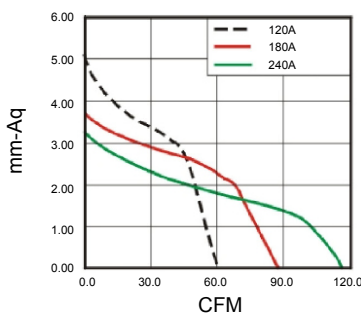
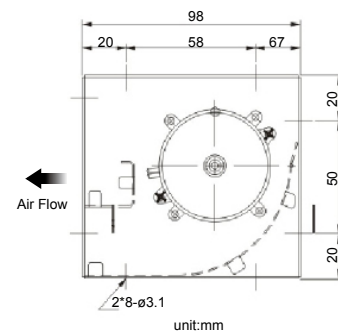
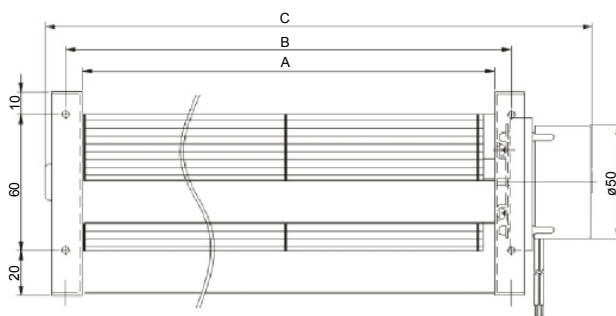
General Specifications

- Motor : 4 Poles brushless DC motor
- Frame & Impeller : Metal
- Storage temperature : -40° to +75°
- Operating temperature : -10° to +65°



Major Characteristic Parameters

Model	Size(mm)			Rated Voltage	Rated Current	Rated Speed	Maximun Air Flow		Maximum Static Pressure		Sound Level	Weight
	Part NO.	A	B				C	V	A	RPM		
CD60120A12	123	138	183	12	0.60	2500	1.7	60	5.1	0.200	44	620
CD60120A24	123	138	183	24	0.40	2500	1.7	60	5.1	0.200	44	620
CD60180A12	184	199	244	12	0.80	2200	2.5	88	3.8	0.149	46	700
CD60180A24	184	199	244	24	0.45	2200	2.5	88	3.8	0.149	46	700
CD60240A12	245	260	305	12	1.0	2000	3.2	117	3.3	0.129	48	770
CD60240A24	245	260	305	24	0.55	2000	3.2	117	3.3	0.129	48	770
CD60300A12	306	321	366	12	0.50	1600	3.3	113	1.8	0.070	47	840
CD60300A24	306	321	366	24	0.25	1600	3.3	113	1.8	0.070	47	840
CD60360A12	368	383	428	12	0.55	1500	3.7	131	1.7	0.066	48	930
CD60360A24	368	383	428	24	0.25	1500	3.7	131	1.7	0.066	48	930
CD60420A12	429	444	489	12	0.60	1400	4.4	156	1.7	0.066	50	1000
CD60420A24	429	444	489	24	0.30	1400	4.4	156	1.7	0.066	50	1000



D50 P series

110mm~432mm

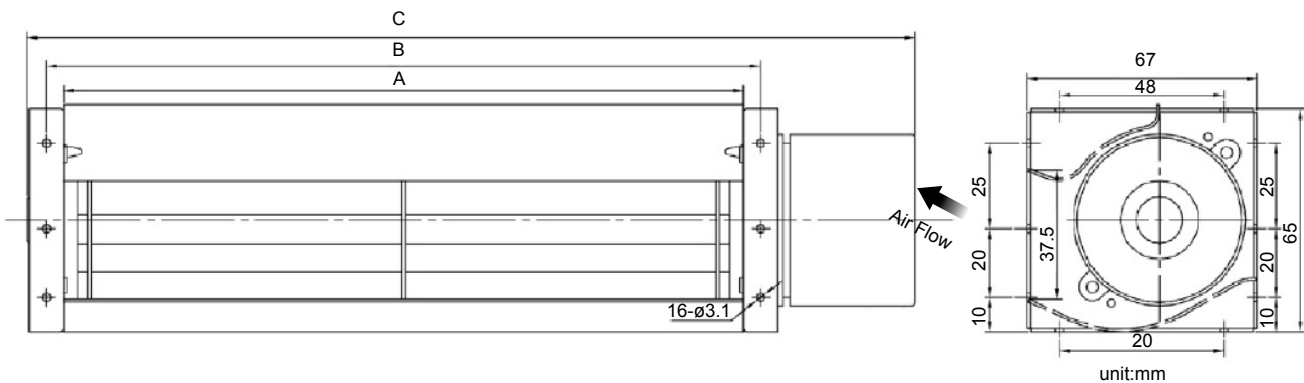
General Specifications

- Motor : 4 Poles brushless DC motor
- Frame & Impeller : Metal
- Storage temperature : -40° to +75°
- Operating temperature : -10° to +65°



Major Characteristic Parameters

Model	Size(mm)			Rated Voltage	Rated Current	Rated Speed	Maximum Air Flow		Maximum Static Pressure		Sound Level	Weight
	Part NO.	A	B				C	V	A	RPM		
CD50090A12	100	110	133	12	0.22	2800	1.0	36	3.5	0.137	35	315
CD50090A24	100	110	133	24	0.12	2800	1.0	36	3.5	0.137	35	315
CD50150A12	160	170	193	12	0.31	2600	1.7	60	4.3	0.169	39	420
CD50150A24	160	170	193	24	0.19	2600	1.7	60	4.3	0.169	39	420
CD50190A12	200	210	246	12	0.60	2500	2.6	91	4.5	0.177	46	580
CD50190A24	200	210	246	24	0.40	2500	2.6	91	4.5	0.177	46	580
CD50250A12	252	262	298	12	0.62	2400	3.0	105	4.8	0.188	45	640
CD50250A24	252	262	298	24	0.40	2400	3.0	105	4.8	0.188	45	640
CD50290A12	300	310	346	12	0.65	2300	3.6	126	4.2	0.165	43	700
CD50290A24	300	310	346	24	0.40	2300	3.6	126	4.2	0.165	43	700
CD50350A12	360	370	406	12	0.75	2200	3.8	133	3.8	0.149	45	750
CD50350A24	360	370	406	24	0.45	2200	3.8	133	3.8	0.149	45	750
CD50420A12	422	432	468	12	0.75	2000	4.0	140	3.6	0.141	46	800
CD50420A24	422	432	468	24	0.45	2000	4.0	140	3.6	0.141	46	800



D50 F series

108mm~430mm

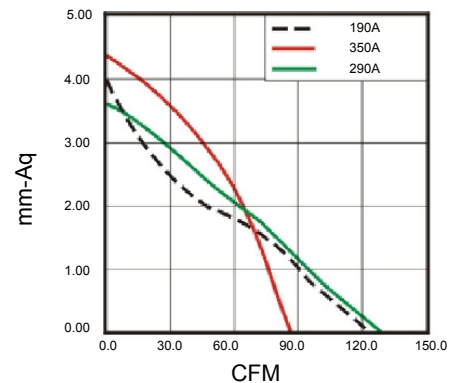
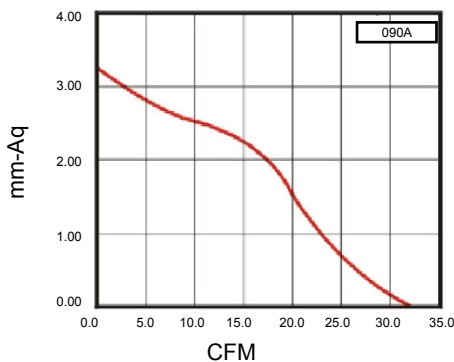
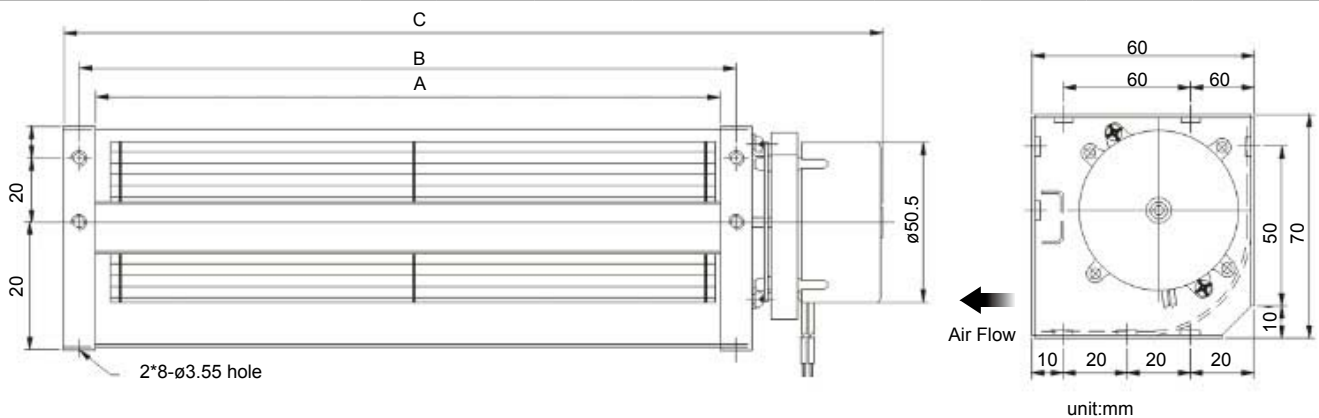
General Specifications

- Motor : 4 Poles brushless DC motor
- Frame & Impeller : Metal
- Storage temperature : -40° to +75°
- Operating temperature : -10° to +65°



Major Characteristic Parameters

Model	Size(mm)			Rated Voltage	Rated Current	Rated Speed	Maximun Air Flow		Maximum Static Pressure		Sound Level	Weight
	Part NO.	A	B				C	V	A	RPM		
CD50090A12	98	108	134	12	0.22	2800	0.9	32	3.3	0.129	39	320
CD50090A24	98	108	134	24	0.12	2800	0.9	32	3.3	0.129	39	320
CD50190A12	198	208	239	12	0.60	2500	2.5	88	4.3	0.169	46	600
CD50190A24	198	208	239	24	0.40	2500	2.5	88	4.3	0.169	46	600
CD50290A12	298	308	360	12	0.65	2400	3.5	124	4.0	0.157	46	700
CD50290A24	298	308	360	24	0.40	2400	3.5	124	4.0	0.157	46	700
CD50350A12	358	368	420	12	0.75	2300	3.7	131	3.6	0.141	45	770
CD50350A24	358	368	420	24	0.45	2300	3.7	131	3.6	0.141	45	770
CD50420A12	420	430	474	12	0.80	2000	4.0	145	3.2	0.125	46	850
CD50420A24	420	430	474	24	0.50	2000	4.0	145	3.2	0.125	46	850



D60 Useries

130mm~370mm

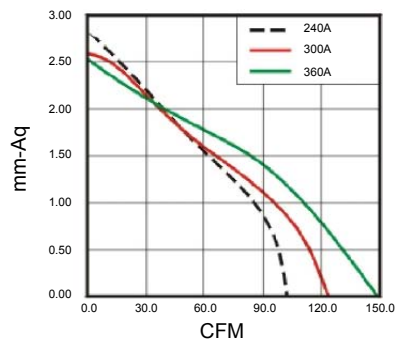
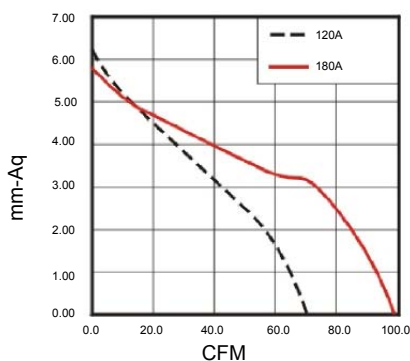
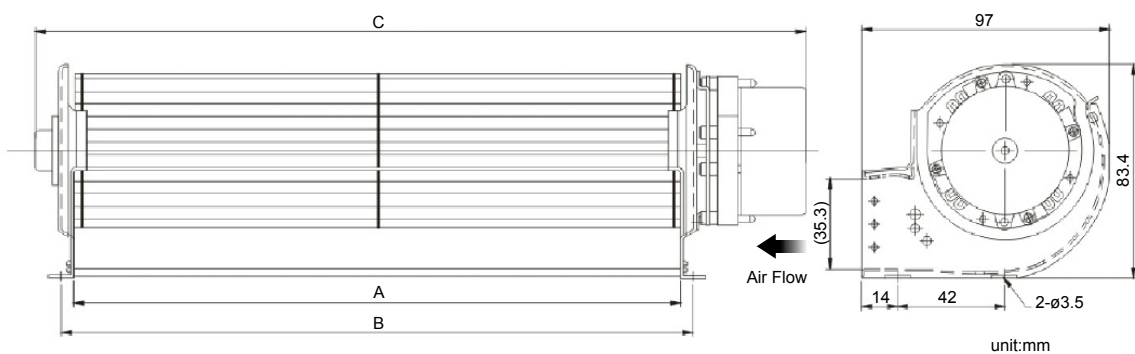
General Specifications

- Motor : 4 Poles brushless DC motor
- Frame & Impeller : Metal
- Storage temperature : -40° to +75°
- Operating temperature : -10° to +65°



Major Characteristic Parameters

Model	Size(mm)			Rated Voltage	Rated Current	Rated Speed	Maximun Air Flow		Maximum Static Pressure		Sound Level	Weight
	Part NO.	A	B				C	V	A	RPM		
CD60120A12	120	130	185	12	0.65	2500	2.0	71	6.3	0.248	49	520
CD60120A24	120	130	185	24	0.40	2500	2.0	71	6.3	0.248	49	520
CD60180A12	180	190	245	12	0.95	2200	2.8	99	5.9	0.232	50	610
CD60180A24	180	190	245	24	0.50	2200	2.8	99	5.9	0.232	50	610
CD60240A12	240	250	305	12	0.50	1600	2.9	102	2.8	0.110	42	690
CD60240A24	240	250	305	24	0.25	1600	2.9	102	2.8	0.110	42	690
CD60300A12	300	310	365	12	0.60	1500	3.5	124	2.6	0.102	43	780
CD60300A24	300	310	365	24	0.30	1500	3.5	124	2.6	0.102	43	780
CD60360A12	360	370	425	12	0.65	1400	4.2	149	2.5	0.980	42	860
CD60360A24	360	370	425	24	0.35	1400	4.2	149	2.5	0.980	42	860



D65 Useries

130mm~412mm

General Specifications

- Motor : 4 Poles brushless DC motor
- Frame & Impeller : Metal
- Storage temperature : -40° to +75°
- Operating temperature : -10° to +65°



Major Characteristic Parameters

Model	Size(mm)			Rated Voltage	Rated Current	Rated Speed	Maximun Air Flow		Maximum Static Pressure		Sound Level	Weight
	Part NO.	A	B				C	V	A	RPM		
CD65120A12	120	130	185	12	0.80	2200	2.3	81	8.2	0.322	49	560
CD65120A24	120	130	185	24	0.45	2200	2.3	81	8.2	0.322	49	560
CD65180A12	180	190	245	12	0.55	1500	2.7	95	3.8	0.149	45	650
CD65180A24	180	190	245	24	0.25	1500	2.7	95	3.8	0.149	45	650
CD65240A12	240	250	305	12	0.70	1400	3.5	124	3.5	0.137	43	740
CD65240A24	240	250	305	24	0.30	1400	3.5	124	3.5	0.137	43	740
CD65300A12	300	310	365	12	0.75	1300	4.1	145	3.1	0.122	43	830
CD65300A24	300	310	365	24	0.35	1300	4.1	145	3.1	0.122	43	830
CD65360A12	360	370	425	12	0.80	1200	4.7	166	2.9	0.114	45	920
CD65360A24	360	370	425	24	0.40	1200	4.7	166	2.9	0.114	45	920
CD65420A12	412	442	485	12	0.85	1100	5.4	191	2.7	0.106	45	1000
CD65420A24	412	442	485	24	0.40	1100	5.4	191	2.7	0.106	45	1000

